

# REENERGY 1.618

**TECHNOLOGIES & INNOVATIVE SOLUTIONS FOR “GREEN ENERGY”**



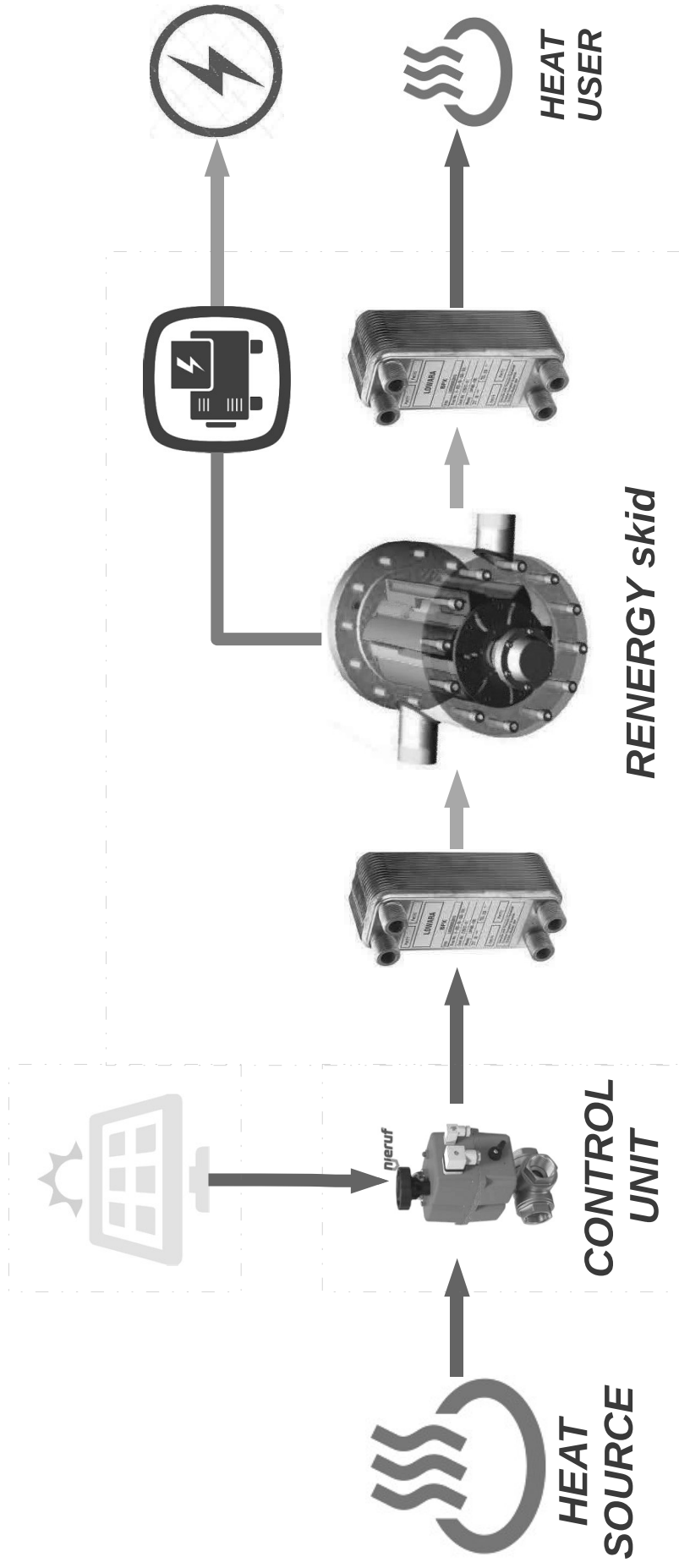
# **REENERGY 1.618 S.r.l.**

- ✓ **Listed in the Italian Innovative Startup Register**
- ✓ **From Thermal Energy to Mechanical Energy**
- ✓ **Highly Innovative Generation of Green Energy**
- ✓ **Energy Saving & Circular Economy Solutions**

# TEAM

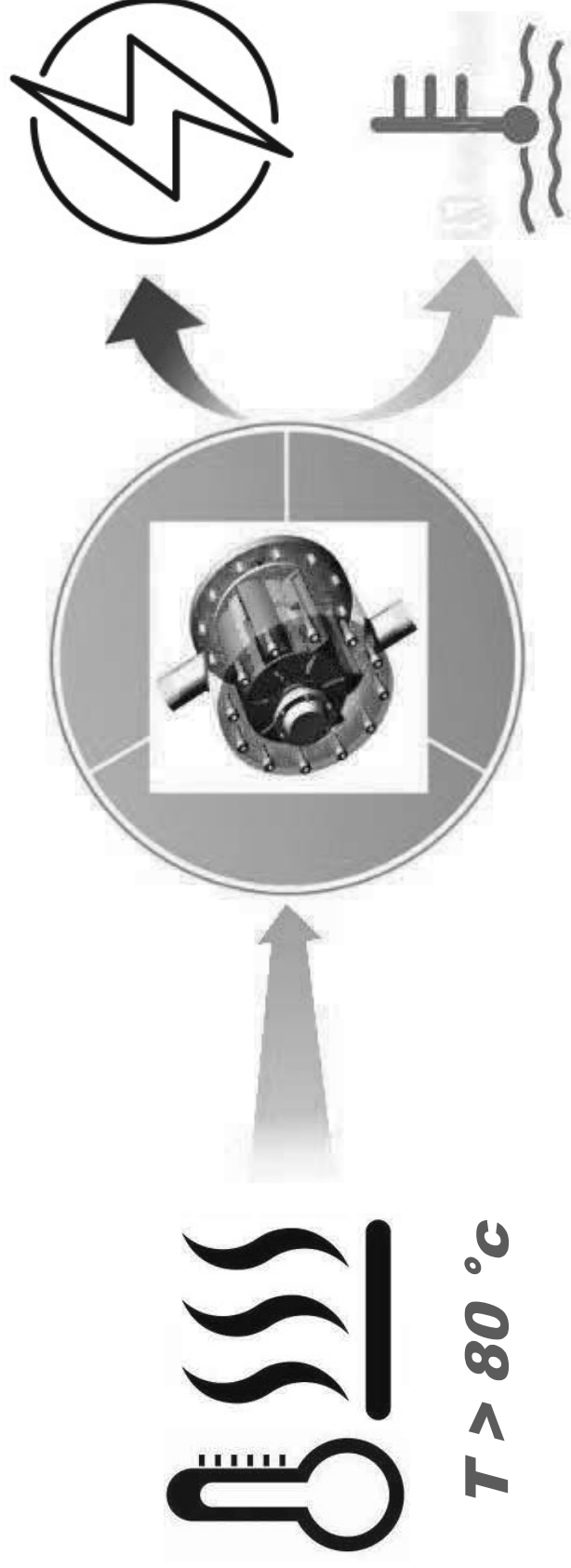
- ✓ **Ing. Federico van der Velden:** Mechanical Engineer Master Degree; Marketing & System Management (IBM), Technical Manager for HVAC & Cogeneration Control Facilities; Development of Control, Supervision, Measuring & Energy Monitoring Systems; Energy Management Expert (ICMQ)
- ✓ **Dott. Gianluca Pelizzoni:** Law Master Degree, Insurance Agents Network HR Manager, Head of Anti-Fraud Unit of an Italian Insurance Company, Certified Neuro Linguistic Programming Coach, Study Center Manager (Unione Italiana Agenti RAS – Allianz Group)
- ✓ **Dott. Luca Pacifico:** Economy Master Degree, Expert in Business & Marketing Analysis, Risk Manager and Head of Credit in an Egyptian Subsidiary of Intesa Sanpaolo Bank

# SOLARIA PROJECT



# REENERGY SKID FROM HEAT TO ELECTRICITY

( patented )



HEAT → REENERGY SKID → 15% ELECTRICITY  
85% HEAT

# WORKS WITH ANY HEAT SOURCE



**GEO THERMAL**

HEATING PUMPS



**SOLAR**

THERMODYNAMIC CONCENTRATOR



**INDUSTRY**

ENERGY RECOVERY FROM  
STEAM – HOT WATER – HOT AIR & GASES



**BIOGAS**

HIGH EFFICIENCY



**AIR**

ISOTHERMAL (CONSTANT VOLUME)



**COGENERATION**

+30% MORE MECHANICAL EFFICIENCY



**REENERGY SKID**

# RELIABLE



**Service Continuity: 8.200 h per year**



**25 Years Lifetime**



**Minimum Maintenance**



**Less Replacement Parts**



**Self-Lubricating**



**Skilled Labor NOT Needed**



**RENERGY SKID**

780 ... 1580 rpm

# COMPOUND (PARABOLIC OR FRESNEL) THERMAL SOLAR PANELS

